

DHI-ITSDY-5101-07

Intelligent Charge Host



- Built with a 3.5-inch LCD display, it displays the charging current, voltage, battery level, time, status, failure information and more.
- IP55 rated.
- Working temperature: -30°C to $+65^{\circ}\text{C}$ (-22°F to $+149^{\circ}\text{F}$)
- Supports 3 charging control modes: Plug and play, RFID control, and the mobile app.
- 2 types of universal communication protocols: OCPP 1.6J and ModBus TCP.

System Overview

The charging pile is a power supply that uses advanced, professional technology to provides energy to electric vehicles. It has a friendly man-machine interface and versatile control and communication functions.

Functions

Beautiful Interaction Interface

Sleek and elegant, the device has a friendly human-machine interaction interface.

Easy to Connect

Highly flexible, it connects using multiple methods including 4G, Wi-Fi, and blue tooth.

High-Grade Protection

Comes with protection against surges, high temperatures, overvoltage, under voltage, over current, electrical leakage and RCD. It also offers grounding protection.

Scene

The device is suitable for private parking spaces, high-speed service areas, shopping malls, public parking lots, bus stations and more.

Battery Level

With its built-in MID meter, you can switch between different levels for the current.

Intelligent Display

Indicates the device operating status with different color lights.

Blue indicates the device is entering standby mode.

Green indicates the device is being charged.

Yellow indicates the device is ready to be used.

Red indicates there is an issue with the device.

Standard Port

The charging port complies with European standards and can be used by various European standard new energy vehicles.

Easy to Install

Supports wall mount and vertical pole mount installation.

Technical Specification

Basic

Power Supply	Rated supply voltage 230 VAC single phase 50/60Hz
Rated Power	7 KW
Operating Current	Single phase, and each phase supports up to 32 A.
Input Cable Wiring Method	L/N/PE
Input Cable Length	3.5 m (9.84 ft)
Charging Protocol	Mode 3 (EN/IEC 61851)

Port

Charging Port	Type 2(Cable)
Ethernet Port	1 × RJ-45

Function

Charging Control Mode	Plug and play, RFID control, and App on mobile phone.
Display Screen	3.5 inch LCD
Communication Protocol	OCPP 1.6J, ModBus TCP

Security Protection	Surge protection, over temperature protection, over voltage protection, under voltage protection, over current protection, grounding protection, electrical leakage protection, PEN (for British regions), and Integral 30 mA Type A RCD (EN 61008) + 6 mA DC protection (EN 62955)
---------------------	---

Charging Current	10 A–32 A (Adjustable)
------------------	------------------------

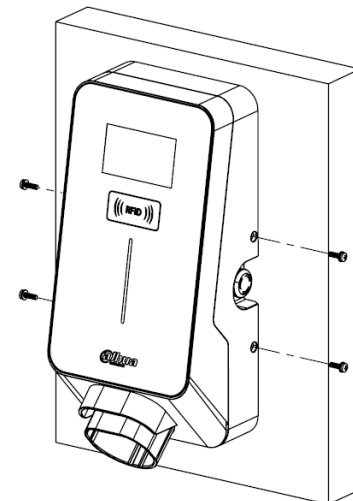
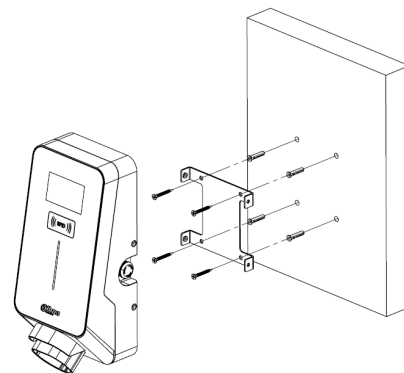
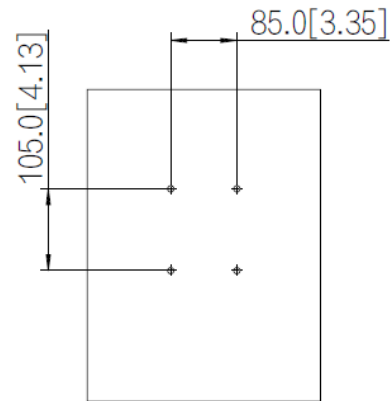
General

Protection	IP55
Anti-collision Grade	IK10
Operating Temperature	-30°C to+65°C (-22 °F to +149 °F)
Storage Temperature	-40°C to+75°C (-40 °F to +167 °F)
Operating Humidity	≤ 95% (RH), non-condensing
Product Dimensions	352 mm × 155 mm × 130 mm (L × W × H) (13.86" × 6.10" × 5.12")
Packaging Dimensions	430 mm × 350 mm × 300 mm (L × W × H) (16.93" × 13.78" × 11.81")
Net Weight	3.2 kg (7.05 lb)
Package Weight	4.6 kg (10.14 lb)
Installation Environment	Indoor or outdoor in well-ventilated places and free of oil stains, chemicals and inflammable and explosive substances.
Installation Method	Wall mount and vertical pole mount
Certifications	EN IEC61851-1,EN IEC61851-21-2, EN300328, EISI EN300330, EN301489-1/-17/-3/-52, EN62311, EN50364, ETSI EN 301511, ETSI EN301908-1/-2/-13, IEC62955, 2011/65/EU, 2015/863/EU

Ordering Information

Type	Model	Description
Intelligent Charge Host	DHI-ITSDY-5101-07	charging pile(7KW)
Accessories	ITSDY-5001-LZ	Bracket

Installation



Dimensions (mm[inch])

